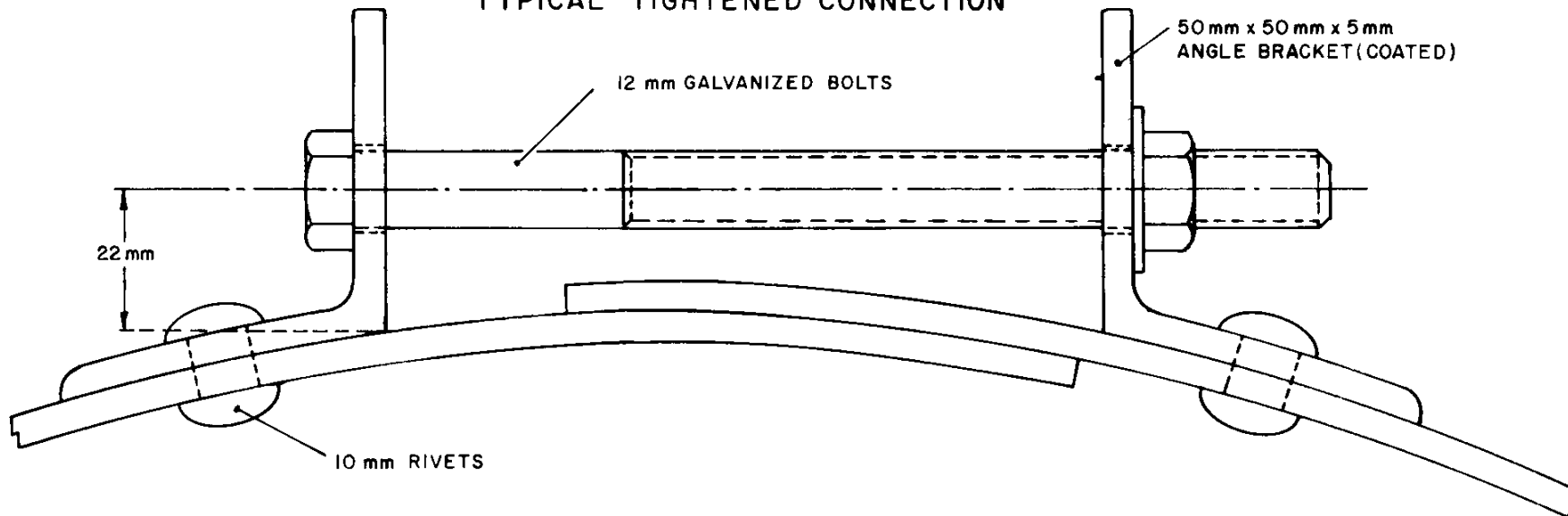
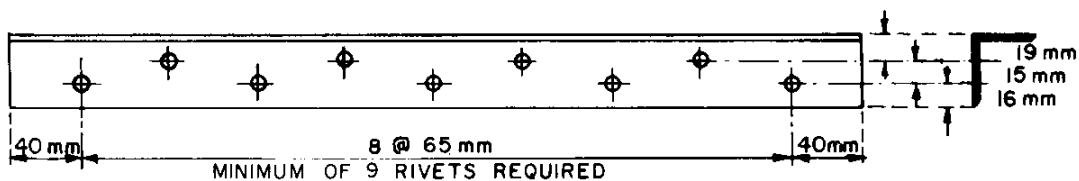


TYPICAL TIGHTENED CONNECTION



TYPICAL RIVET LOCATIONS  
FOR  
C.S.P. COUPLERS 600 mm IN WIDTH



<p>Alberta TRANSPORTATION Engineering Division</p>	DWG. No	CB-6 5.15.M7
		Date
	Original	Dec. 1978
	Revised	
<p><b>STANDARD C.S.P. COUPLER CONNECTION WITH RIVETED ANGLE BRACKET</b></p>		