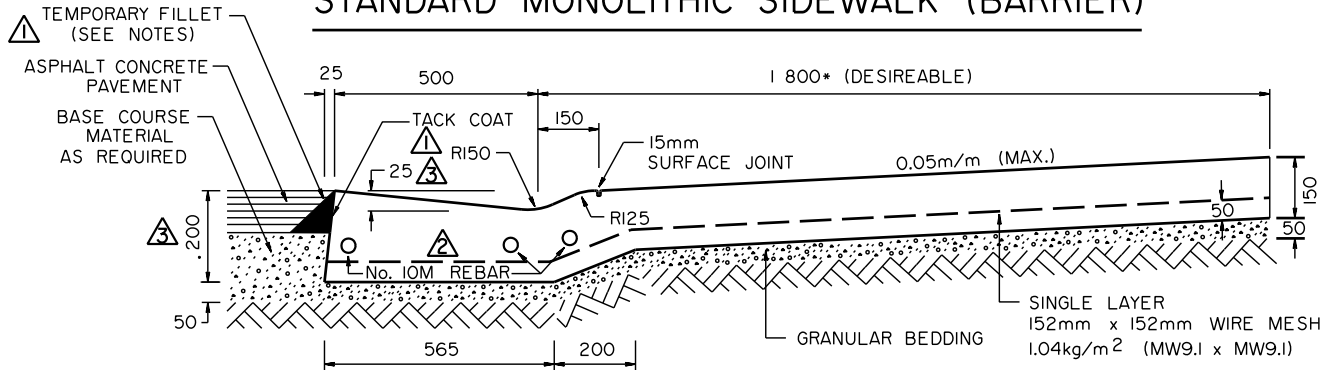
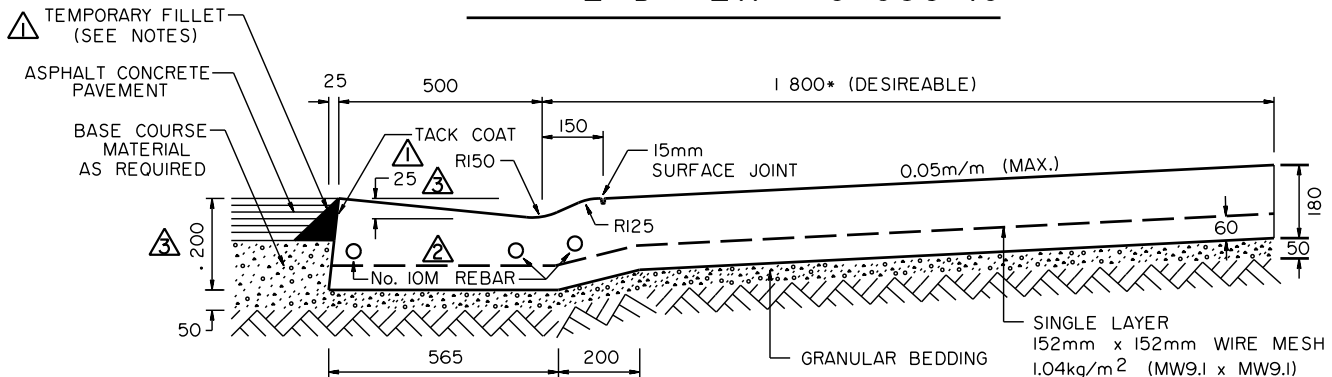


STANDARD MONOLITHIC SIDEWALK (BARRIER)



PRIVATE DRIVEWAY CROSSING



LANE AND COMMERCIAL CROSSING

NOTES:

1. All dimensions stated are in millimetres.
 2. Expansion joints at intervals not exceeding 6m.
 3. Standard 1.5m spacing of intermediate surface joints.
 4. Wire mesh and longitudinal bars to extend through all surface joints and end 50mm from expansion joints or contraction joints.
 5. Contraction joint depth shall average D/4.
 6. A temporary fillet of asphalt stabilized base course material is to be placed along the gutter whenever asphalt concrete pavement is to be placed on roadway in the future.
- * Sidewalk width as specified (min. 1.5 - max. 3.0)

3	GUTTER REVISED TO 25mm	B.G.	19Sep2011
2	No. 10M BARS REVISED TO No. 10M REBAR	B.K.	05/92
1	Add Note 6; Add Temp. Fillet & Tack Coat	B.K.	05/92
No.	REVISIONS	BY	DATE

Approved:

ORIGINAL SIGNED
BY PETER TAJCNER

.....

Director,
Design Engineering Branch

Date: JULY 23, 1991

**MONOLITHIC CONCRETE SIDEWALK
CURB AND GUTTER
(500mm GUTTER)**

Prepared By: R.T.	Checked By: BK	Scale: N.T.S.	Dwg No.: CB6-4.2.M88
-------------------	----------------	---------------	----------------------