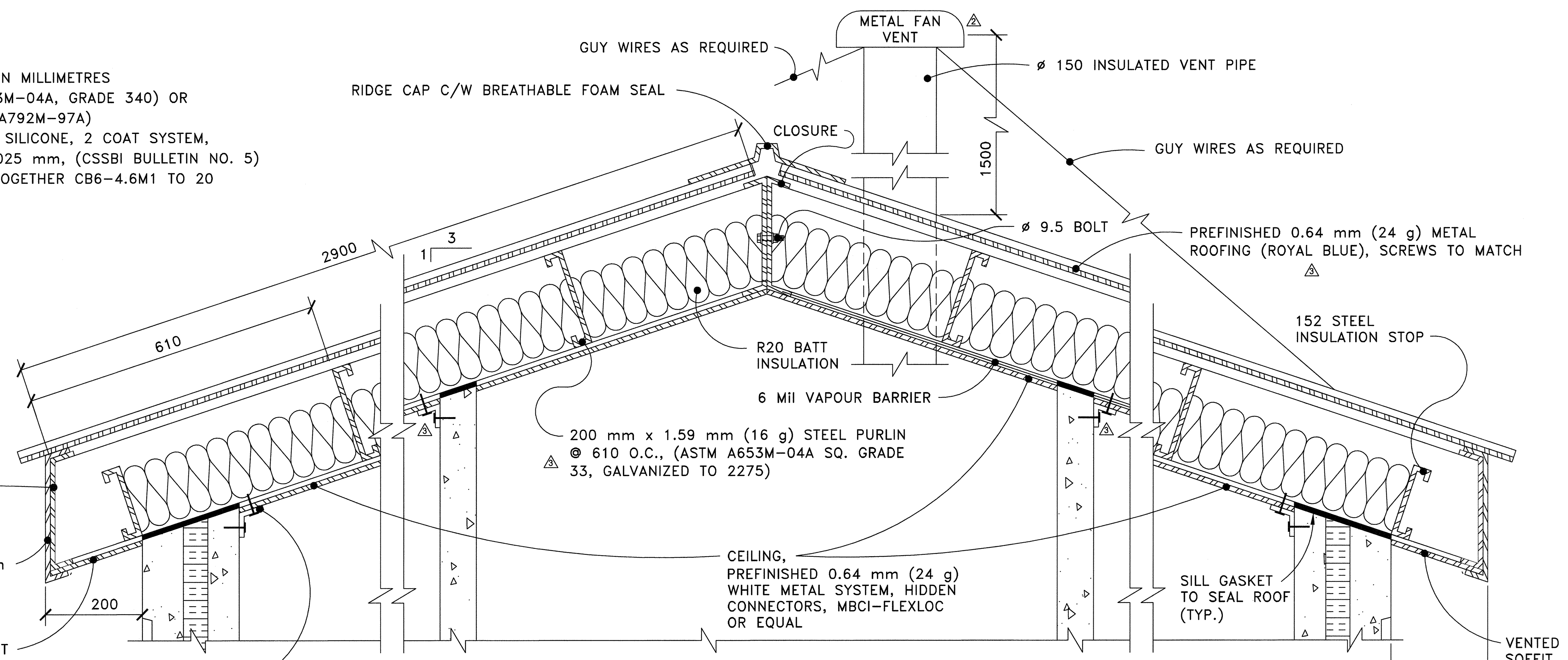


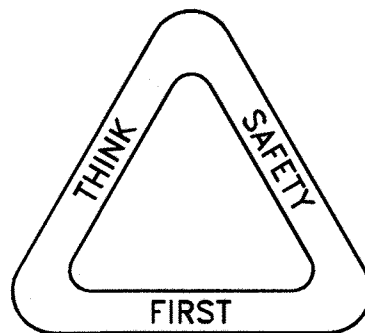
**6 SECTION, THROUGH ROOF**  
**CB6-4.6M1** SCALE N.T.S.

**NOTES:**

- ALL DIMENSIONS SHOWN IN MILLIMETRES
- SHEET METAL (ASTM A653M-04A, GRADE 340) OR GALVALUME (ASTM A792/A792M-97A)
- METAL COATING MODIFIED SILICONE, 2 COAT SYSTEM, DRY PAINT THICKNESS 0.025 mm, (CSSBI BULLETIN NO. 5)
- WORK THESE DRAWINGS TOGETHER CB6-4.6M1 TO 20



**5 SECTION, THROUGH ROOF**  
**CB6-4.6M1** SCALE N.T.S.



2013-01-18	REVISED SHEET SURROUND AND SECTION 6	AN	RECOMMENDED DIRECTOR HIGHWAY OPERATIONS
2012-02-07	REVISED AND ADDED NOTES REVISED CEILING TRIM	AN	<i>[Signature]</i>
2011-06-27	REMOVED 2 VENTS, RAISED 1 AND RELATED CHANGES	AN	
2009-06-15	REDRAWN	SS	APPROVED EXECUTIVE DIRECTOR TECHNICAL STANDARDS BRANCH
REV	DATE	REVISIONS	BY
			<i>[Signature]</i>
DESIGNER	AN	CHECKER	DATE FEB 8/13

**Alberta** Transportation

**DOUBLE TOILET ROOF SECTIONS**

DEPARTMENT BAR CODE	DATE	SHEET	DRAWING
	2009-06-15	14 OF 21	CB6-4.6M14