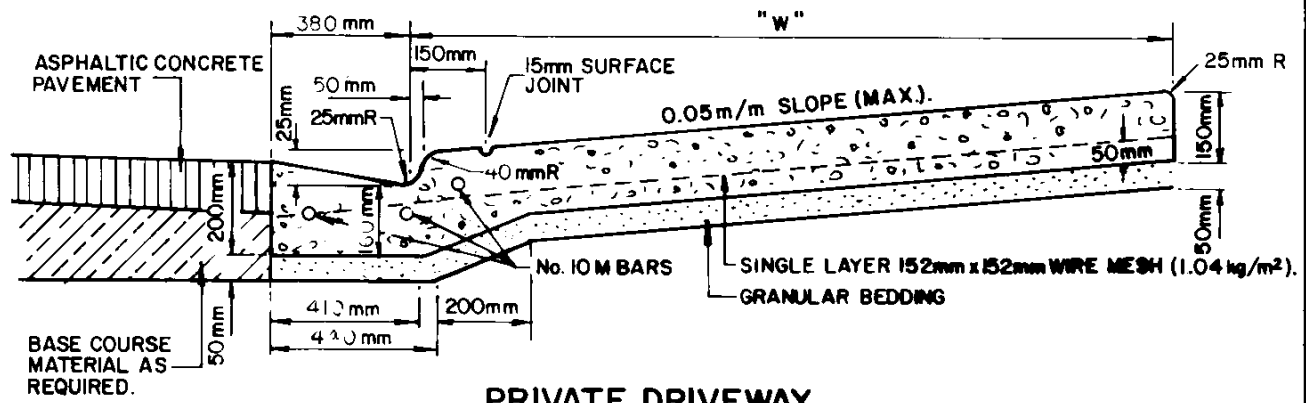
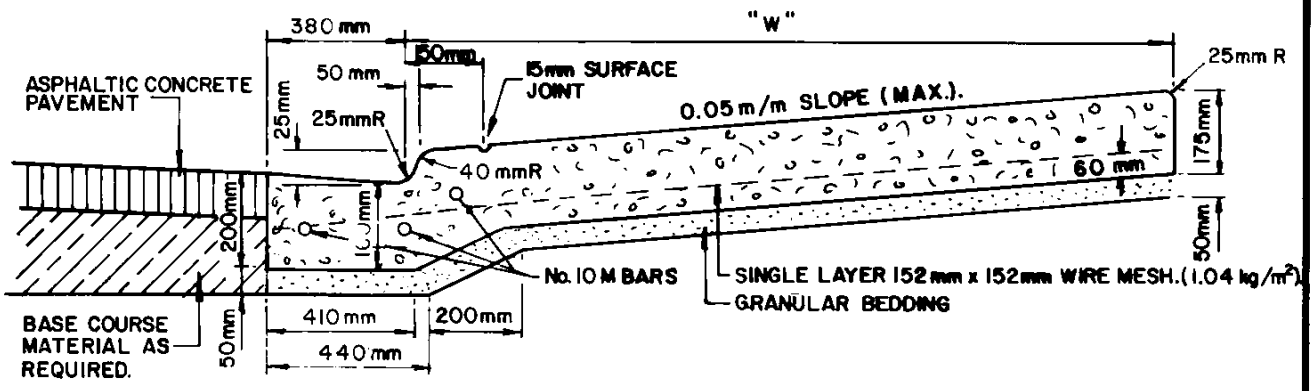


**STANDARD MONOLITHIC SIDEWALK**



**PRIVATE DRIVEWAY**



**PUBLIC OR COMMERCIAL CROSSING**

**NOTES:**

- CONTRACTION JOINTS AT 3.0m INTERVALS.
- STANDARD 1.5m SPACING OF INTERMEDIATE SURFACE JOINTS.
- LONGITUDINAL BARS TO EXTEND THROUGH ALL SURFACE JOINTS AND END 50mm FROM EXPANSION OR CONSTRUCTION JOINTS
- "W" = WIDTH AS SPECIFIED (MIN. 1.5m - MAX. 3.0m).
- CONTRACTION JOINT DEPTH SHALL BE 50mm.

**Alberta**  
TRANSPORTATION  
AND UTILITIES  
Engineering Division

DWG. No	CB - 6 4.2.M84
	Date
Original	JAN. 1988
Revised	MAY, 1988
Revised	

**MONOLITHIC CONCRETE SIDEWALK  
CURB AND 380mm GUTTER**