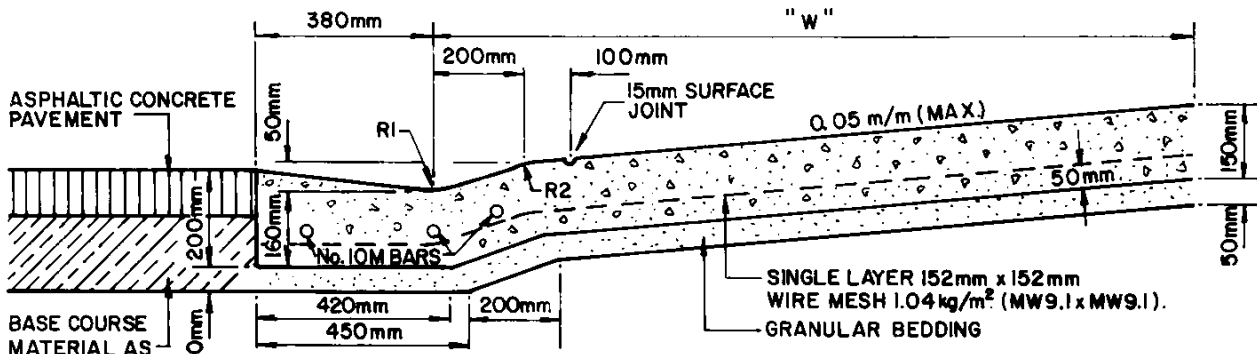
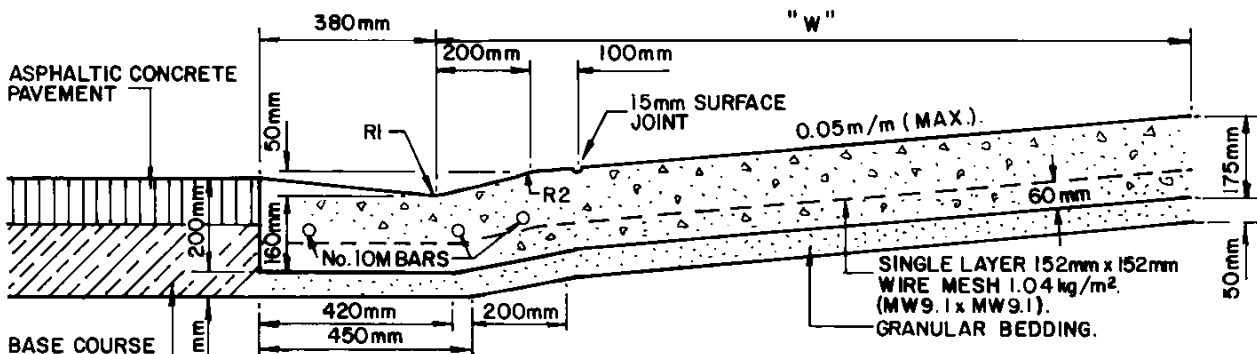


ROLLED MONOLITHIC SIDEWALK



PRIVATE DRIVEWAY CROSSING



LANE AND COMMERCIAL CROSSING

NOTES :

- EXPANSION JOINTS AT INTERVALS NOT EXCEEDING 6m.
- STANDARD 1.5m SPACING OF INTERMEDIATE SURFACE JOINTS.
- PAYMENT FOR PRIVATE DRIVEWAY, LANE AND COMMERCIAL CROSSINGS AS PER SPECIFICATIONS "CONCRETE SIDEWALK CONSTRUCTION" SECTION 4.4.04.6 & 7.
- WIRE MESH AND LONGITUDINAL BARS TO EXTEND THROUGH ALL SURFACE JOINTS AND END 50mm FROM EXPANSION OR CONTRACTION JOINTS.
- "W" = WIDTH AS SPECIFIED. (MIN. 1.5m - MAX. 3.0m).
- R1= 150m. R2=150mm.
- CONTRACTION JOINT DEPTH SHALL AVERAGE $\frac{D}{4}$.

Alberta
TRANSPORTATION
Engineering Division

DWG. N ^o	CB-6 4.2.M83
	Date
Original	MAR.1985
Revised	
Revised	

**ROLLED MONOLITHIC CONCRETE
SIDEWALK, CURB AND GUTTER**