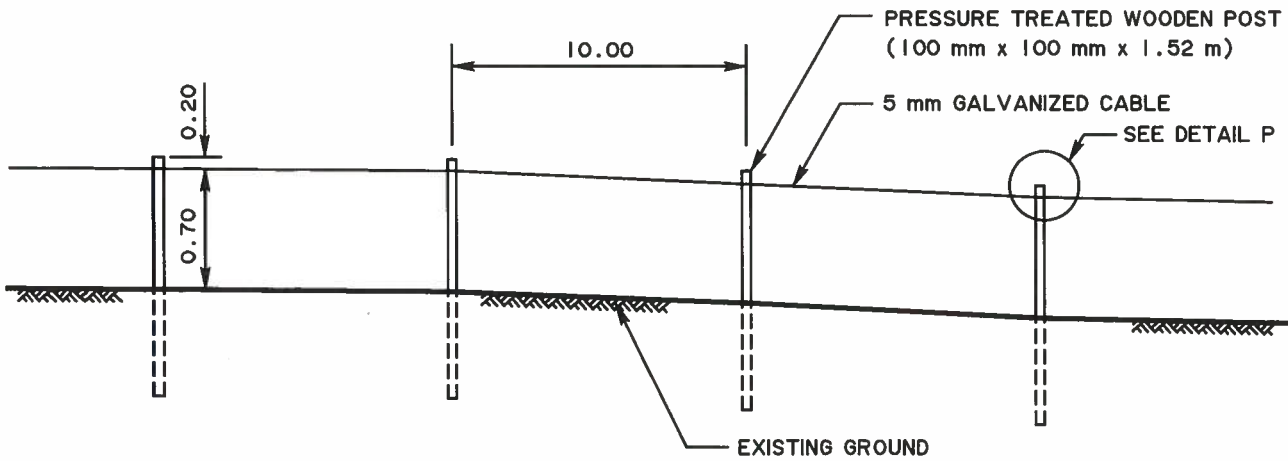
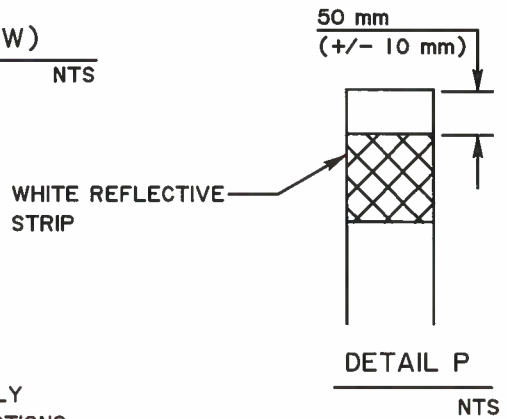


MEDIAN CABLE FENCE
NTS



MEDIAN CABLE FENCE (SIDE VIEW)
NTS



DETAIL P
NTS

NOTES

1. ALL DIMENSIONS ARE IN METRES UNLESS NOTED OTHERWISE.
2. ALL POSTS SHALL BE PRESSURE TREATED WOOD (PINE OR SPRUCE).
3. CABLE TO BE ATTACHED WITH 40 mm STAPLES.
4. WHITE REFLECTIVE STRIPS SHALL BE STAPLED AND WRAPPED ENTIRELY AROUND EACH POST, SUCH THAT IT WILL BE VISIBLE FROM ALL DIRECTIONS.
5. WHITE REFLECTIVE STRIP IS SINGLE SIDED SHEETING 100 mm x 600 mm (MINIMUM) WHICH SHALL MEET ASTM D4956, TYPE X FOR LUMINENCE LEVEL.
6. THE REFLECTOR SHALL BE SELECTED FROM THE ALBERTA TRANSPORTATION PRODUCTS LIST.
7. POSTS SHALL TYPICALLY BE SPACED AT 10 m. IN URBAN AND/OR SITE SPECIFIC CONDITIONS, POST SPACING CAN BE REDUCED AS DIRECTED BY THE ENGINEER.
8. PLACEMENT OF MEDIAN CABLE FENCE ALIGNMENT SHALL BE DIRECTED BY THE ENGINEER.
9. PLACEMENT AT THE LOW POINT OF DRAINAGE DITCH SHOULD TYPICALLY BE AVOIDED.

| | | | |
|-----|------|----------|----|
| △ | | | |
| △ | | | |
| △ | | | |
| △ | | | |
| △ | | | |
| △ | | | |
| REV | DATE | REVISION | BY |

MEDIAN CABLE FENCE

| | | | |
|-------------|------------|------------|-------------|
| PREPARED BY | CHECKED BY | DATE | DWG No |
| GEC | PM | 2015-06-11 | CB6-2.12M12 |

Alberta
Transportation

APPROVED BY
[Signature]
EXECUTIVE DIRECTOR, TSB