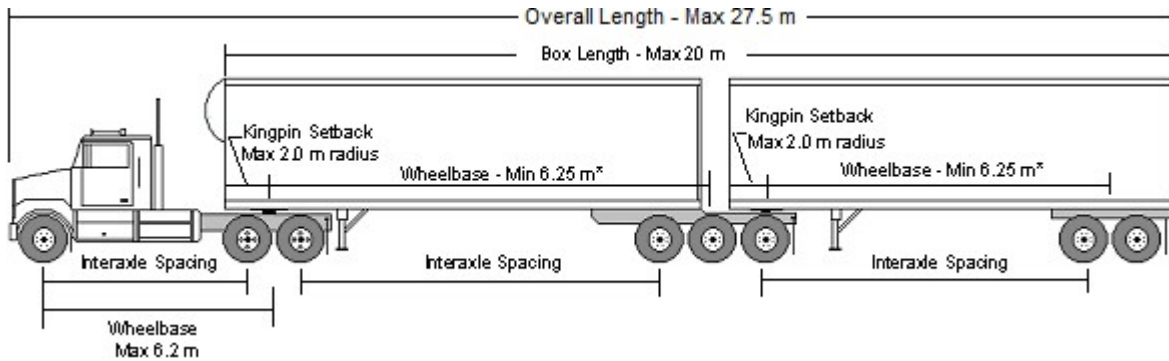
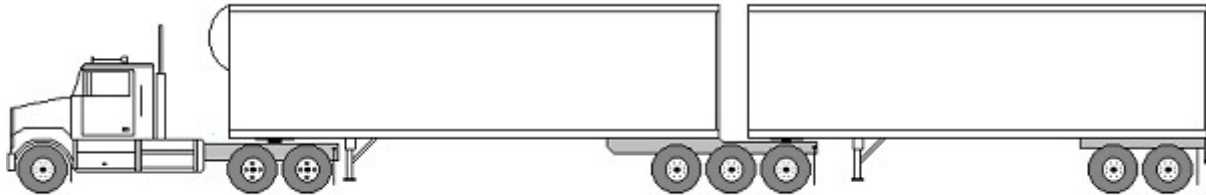


Part 1 - Dimension Limits


DIMENSION	LIMIT
Overall Length	Maximum 27.5 m
Overall Width	Maximum 2.6 m
Overall Height	Maximum 4.15 m
Box Length	Maximum 20.0 m
Tractor:	
Wheelbase	Maximum 6.2 m
Lead Semitrailer	
Wheelbase	Minimum 6.25 m
Kingpin setback	Maximum 2.0 m radius
Track width	Minimum 2.5 m / Maximum 2.6 m
Effective rear overhang	Maximum 35% of wheelbase
Fifth wheel position	Maximum 0.3 m behind the centre of the rearmost axle of trailer.
Second Semitrailer	
Wheelbase	Minimum 6.25 m
Kingpin setback	Maximum 2.0 m radius
Track width	Minimum 2.5 m / Maximum 2.6 m
Effective rear overhang	Maximum 35% of wheelbase
Axle Spreads	
Tandem axle	Minimum 1.2 m / Maximum 1.85 m
Tridem axle	Minimum 2.4 m / Maximum 3.1 m
Interaxle Spacings	
Single axle to single or tandem axle	Minimum 3.0 m
Tandem axle to tandem axle	Minimum 5.0 m
Tandem axle to tridem axle	Minimum 5.5 m
Tridem axle to tridem axle	Minimum 5.5 m

Note: The sum of the wheelbases of the two trailers cannot exceed 17.0 metres.

Part 2 - Weight Limits



WEIGHT	LIMIT
Axle Weights:	
Steering Axle	Maximum 6000 kg
Carrying Axles:	
Single Axle	
Single tires	Maximum 7300 kg
Wide base single tires	Maximum 9100 kg
Dual tires	Maximum 9100 kg
Tandem Axle:	
Single tires	Maximum 13,600 kg
Wide base single tires	Maximum 17,000 kg
Dual tires	Maximum 17,000 kg
Tridem Axle:	
Single tires	Maximum 19,000 kg
Dual and wide base single tires with axle spread 2.4 m to less than 3.0 m	Maximum 21,000 kg
Dual and wide base single tires with axle spread 3.0 m to 3.1 m	Maximum 24,000 kg
Gross Vehicle Weight Limits	
See weight calculator https://www.alberta.ca/commercial-vehicle-weight-and-dimensions-regulations.aspx	Maximum GVW of 63,500 kg

All axle weights are subject to minimum tire size. The maximum weight per tire shall not exceed the lesser of the tire manufacturer's weight rating or the width of the tire stamped on the sidewall multiplied by 10 kg/mm.