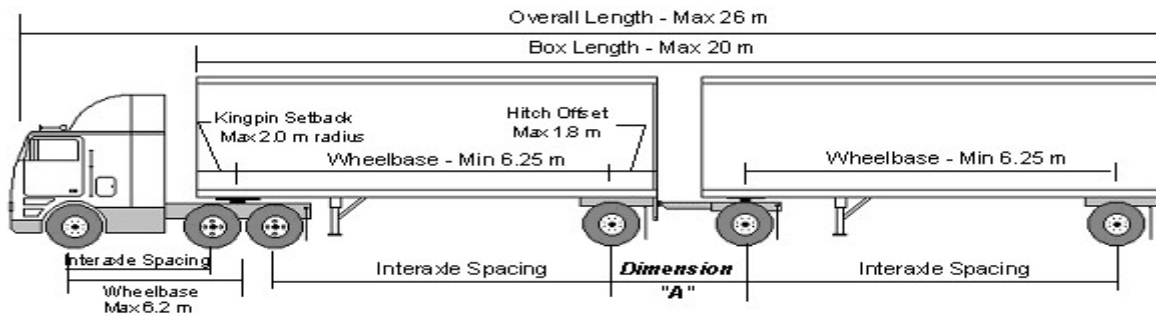
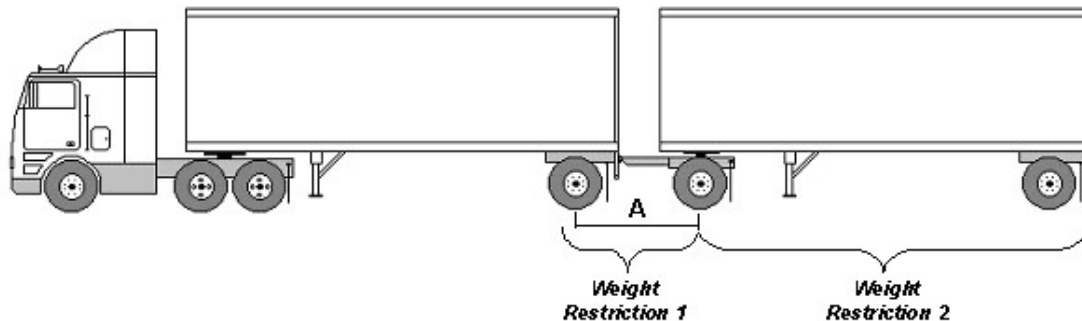


Part 1 - Dimension Limits



DIMENSION	LIMIT
Overall Length	Maximum 25.0 m (26.0 m with permit)
Overall Width	Maximum 2.6 m
Overall Height	Maximum 4.15 m
Box Length	Maximum 20.0 m
Tractor:	
Wheelbase	Maximum 6.2 m
Lead Semitrailer	
Wheelbase	Minimum 6.25 m
Kingpin Setback	Maximum 2.0 m radius
Hitch Offset	Maximum 1.8 m
Track Width	Minimum 2.5 m/Maximum 2.6 m
Second Semitrailer or Full Trailer	
Wheelbase	Minimum 6.25 m
Track Width	Minimum 2.5 m/Maximum 2.6 m
Axle Spreads	
Tandem Axle Spread	Minimum 1.2 m/Maximum 1.85 m
Interaxle Spacings	
Single Axle to Single or Tandem Axle	Minimum 3.0 m
Tandem Axle to Tandem Axle	Minimum 5.0 m
Dimension "A" (from the centre of last axle on the lead semitrailer to the centre of the first axle on the converter dolly or second trailer)	Not controlled

Part 2 - Weight Limits



WEIGHT	LIMIT
Axle Weights:	
Steering Axle	Maximum 6000 kg
Carrying Axles:	
Single Axle	
Single tires	Maximum 7300 kg
Wide base single tires	Maximum 9100 kg
Dual tires	Maximum 9100 kg
Tandem Axle:	
Single tires	Maximum 13,600 kg
Wide base single tires	Maximum 17,000 kg
Dual tires	Maximum 17,000 kg
Weight Restriction 1: Combined axle weight of lead semi-trailer axle plus weight of converter dolly axle	If Dimension "A" is less than 3 metres, the combined weight is limited to a maximum of <ul style="list-style-type: none"> • 17,000 kg for a two axle group or • 23,000 kg for a three axle group.
Weight Restriction 2: Sum of axle weights of full trailer.	The weight of the second trailer must not exceed the weight of the tractor drive axle(s) plus the weight of the axle(s) on the first semitrailer.
Gross Vehicle Weight Limits	
See Weight Calculator https://www.alberta.ca/commercial-vehicle-weight-and-dimensions-regulations.aspx	Cannot exceed the sum of the maximum legal axle weights to a maximum of 53,500 kg.

All axle weights are subject to minimum tire size. The maximum weight per tire shall not exceed the lesser of the tire manufacturer's weight rating or the width of the tire stamped on the sidewall multiplied by 10 kg/mm.