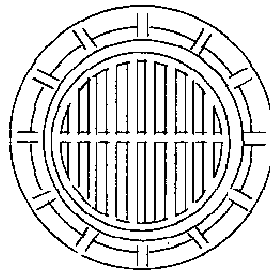
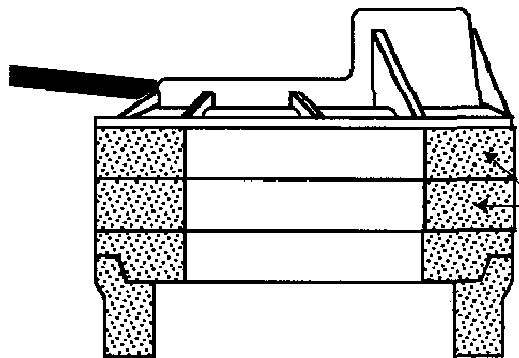


SIDE INLET

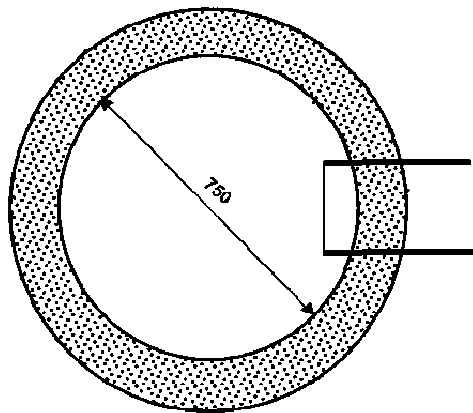


TOP INLET

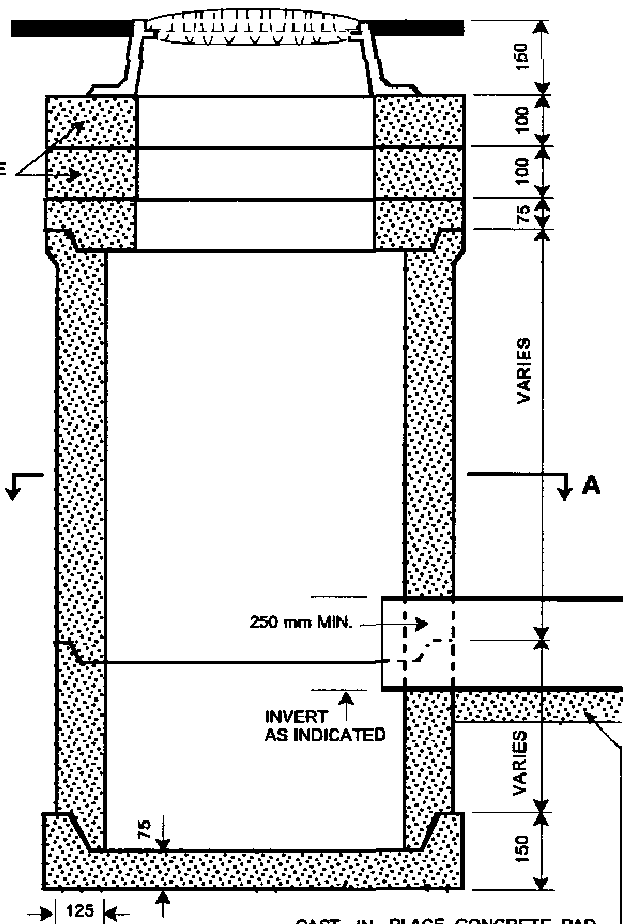
NOTE:
WHEN USING PVC PIPE, INSTALL
PVC MANHOLE ADAPTER



MIN. 2
GRADE
RINGS



SECTION A - A



SECTION

CAST-IN-PLACE CONCRETE PAD,
150 mm THICK, TO BELL END.
BELL END REQUIRED 1.0 M FROM
BARREL WALL

750mm Catch Basin	2008 - 06 - 02
	Detail 33 30 10 03