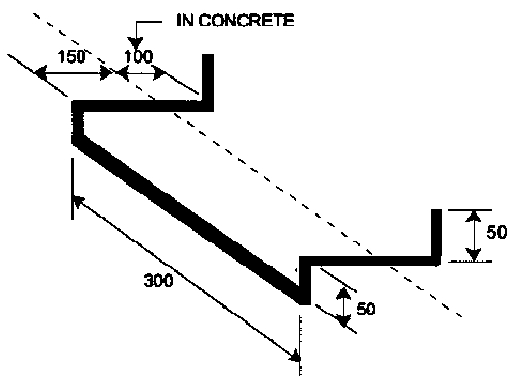
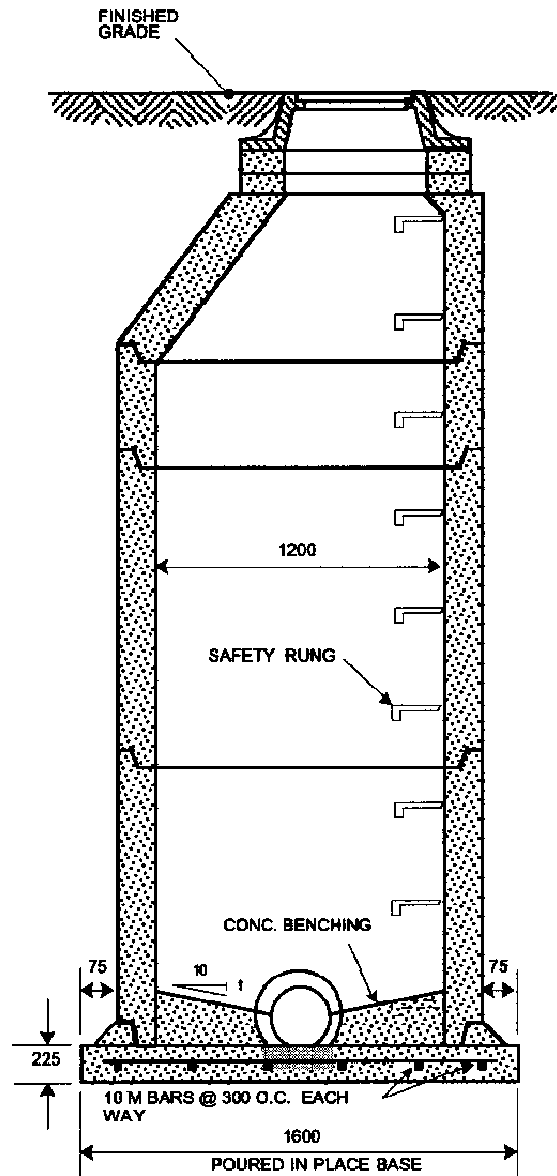


PLAN
SHOWING MATCHING OF INVERTS

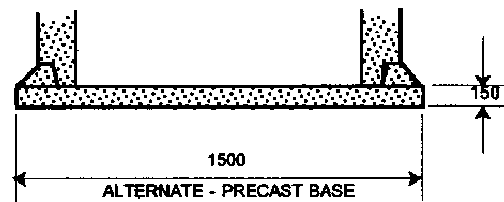
NOTE:



SAFETY MANHOLE RUNG



SECTION



Precast Manhole

2008 - 06 - 02

Detail 33 30 10 01