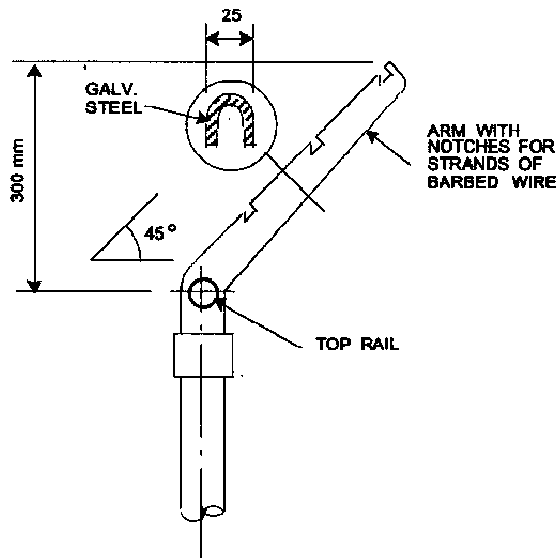


ELEVATION



DETAIL OF EXTENSION ARM

Standard Chain Link Fence	2008 - 06 - 02
	Detail 32 31 00 02