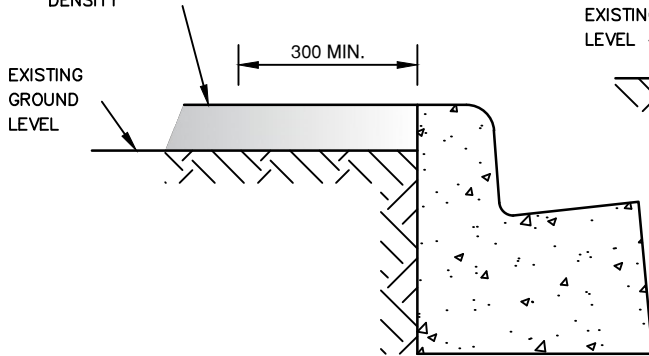
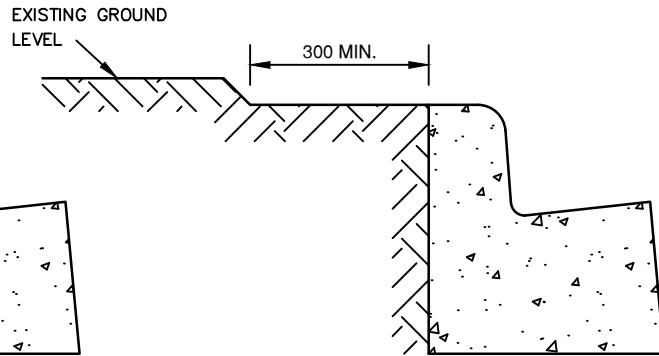


DETAIL 1

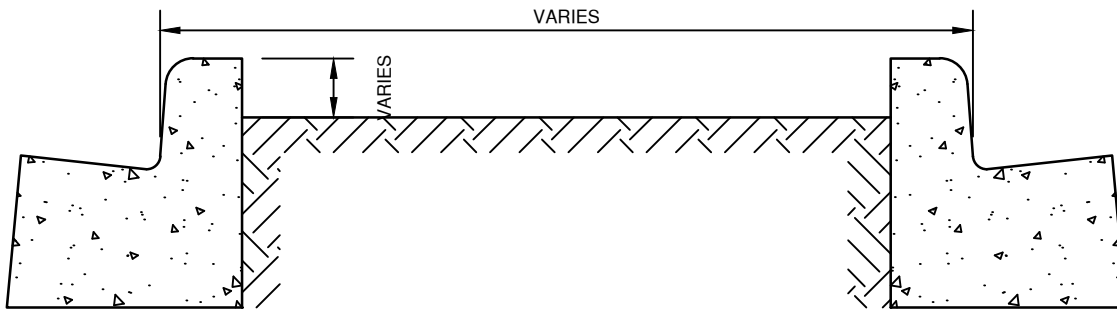
COMPACT TO 95 %
 STANDARD PROCTOR
 MAXIMUM DRY
 DENSITY



DETAIL 2



DETAIL 3



DETAIL 4

Standard Curb & Gutter	2018 - 03 - 15
	Detail 32_13_13_01