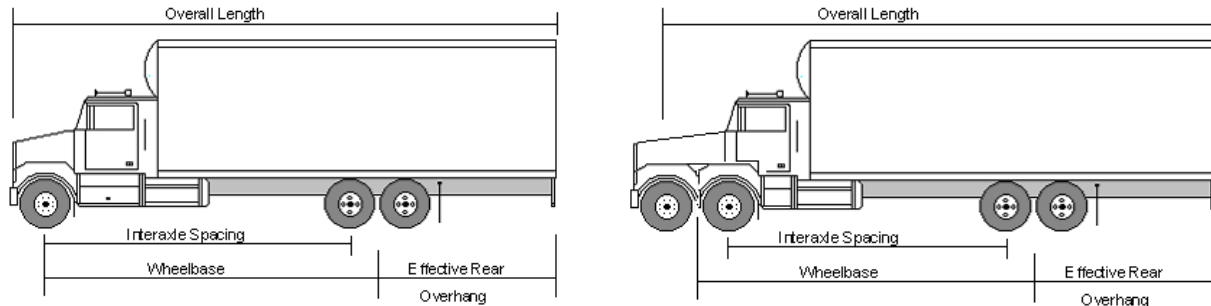
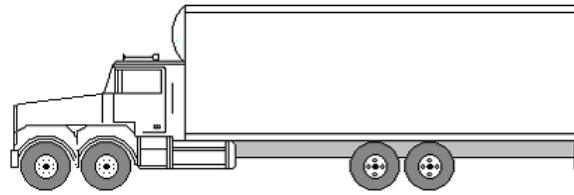
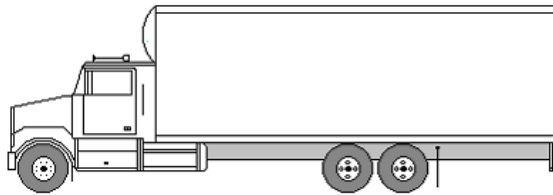


Part 1 - Dimension Limits



DIMENSION	LIMIT
Overall Length	Maximum 12.5 m
Overall Width	Maximum 2.6 m
Overall Height	Maximum 4.15 m
Wheelbase	Not controlled
Twin Steer Axle Spread	Minimum 1.0 m/Maximum 1.85 m
Tandem Axle Spread	Minimum 1.2 m/Maximum 1.85 m
Effective Rear Overhang	Maximum 4.0 metres
Interaxle Spacings	
Single Steer to Single or Tandem Axle	Minimum 3.0 m
Twin Steer to Single or Tandem Axle	Minimum 5.0 m

Part 2 - Weight Limits



WEIGHT	LIMIT
Axle Weights:**	
Steering Axle	Maximum 7300 kg
Single Drive Axle	
Single tires	Maximum 7300 kg
Super single tires	Maximum 7700 kg *
Dual tires	Maximum 9100 kg
Tandem Drive Axle:	
Single tires	Maximum 13,600 kg
Super single tires	Maximum 15,400 kg *
Dual tires	Maximum 17,000 kg
Gross Vehicle Weight Limits	
See Weight Calculator	Cannot exceed the sum of the maximum legal axle weights and is subject to minimum interaxle spacing.

* Super single tires require the "New Generation, Wide Base" tires with a minimum tire width of 445 mm. Available by permit only. Super single tires do not apply to the steering axle.

** All axle weights are subject to minimum tire size. The maximum weight per tire shall not exceed the lesser of the tire manufacturer's weight rating or the width of the tire stamped on the sidewall multiplied by 10 kg/mm.